

### Installation Guide for MDPE Pipe

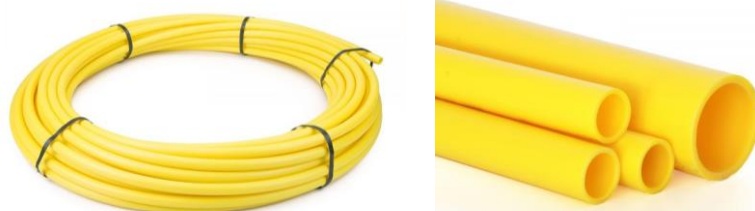
It is highly recommended that a registered gas safety engineer is involved at an early stage to check your design/build/installation. Especially when connecting to the mains gas supply (Natural gas - NG). Pipework size and connections will vary depending on site specific conditions. **Please check before starting your gas pipe installation.**

Brightstar Fires installation kits only work with MDPE yellow gas pipe. Copper or Trackpipe may be used instead, but they will require different connections.

Gas Type	Distance away from LPG bottle/gas meter	MDPE pipe diameter (external)
LPG	Up to 45m from bottle or tank	20mm
NG	Up to 7m from meter	20mm
NG	Up to 30m from meter*	25mm

\*NG installation over 30m from meter will require 32mm MDPE pipe. A gas engineer will calculate what connections are required. We do not supply these kits.

Note: MDPE yellow gas pipe is measured externally, so a 25mm pipe will have an internal measurement of approximately 20mm.



- Only excavate and lay gas pipes on private land with landowner's permission.
- Please refer to the firepit instruction manual and locate the appliance accordingly, before excavating a trench. Source the correct size of MDPE pipe from a reputable plumbing centre or online in reels.
- Please follow all building and gas safety regulations regarding the laying of underground gas pipes. Refer to building regulations in your local area to find depth specifications for excavations under lawns and hard standing. Review and understand safe digging practices to avoid danger from underground services.
- The pipe must not be laid indoors or underneath any building, including garages, sheds, porches, and conservatories etc. The pipe route should avoid drains, manhole covers and other obstructions.

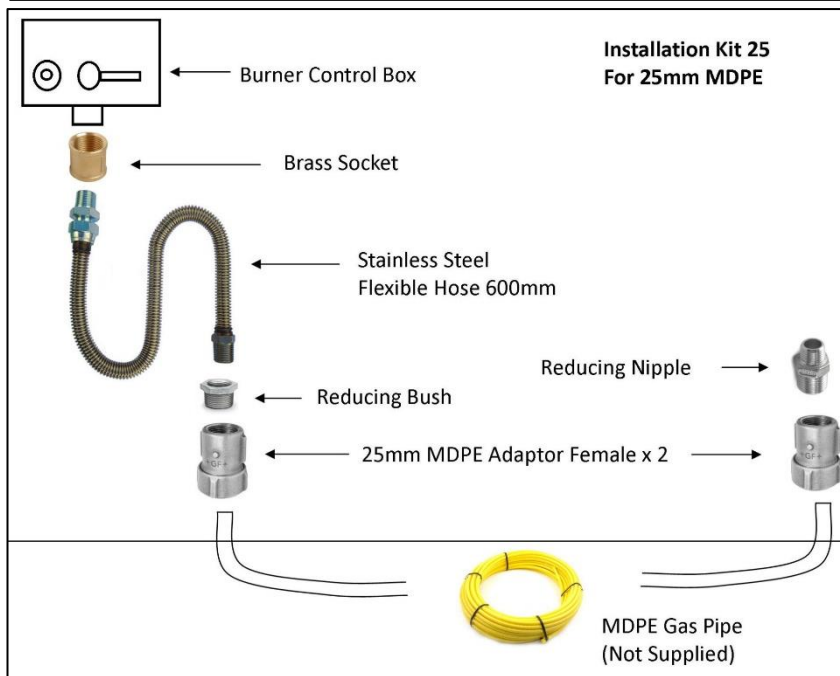
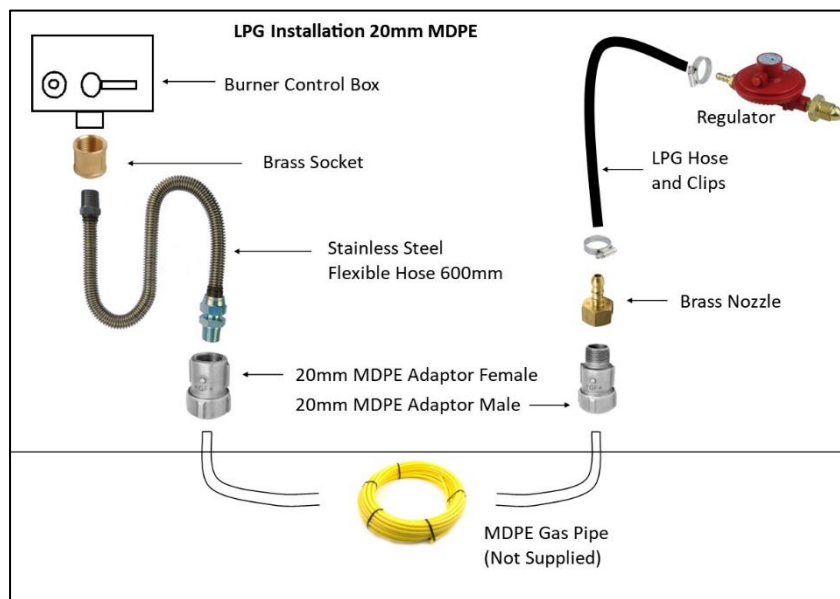
- Gas pipes should be laid a minimum of 300mm from electricity cables and 250mm from other utilities (e.g. water, BT, TV cables, drains, etc). These clearance distances are for along the entire length of the pipe and must be considered when the trench is being excavated.
- The bottom of the trench must be level and free from all sharp stones or materials which may damage the pipe.
- The MDPE pipe must be buried completely underground. Where the pipe exits the ground, it must be taped to protect it from UV light. UV light will deteriorate the pipe. If running pipe under decking, a trench is still required.



LPG is heavier than air. Therefore, if there is a leak, the gas will fall to the ground and flow to the lowest point. For this reason, it is against gas regulations to install an LPG appliance below ground level or within 2 meters of an open drain or sump, or any void where gas could accumulate.



LPG appliances cannot be installed into a firepit, within a sunken patio area unless there is some means for the gas to escape in the event of a leak. Consult a registered gas engineer before you finalise your design or start building anything.



### Twin Burner Installation using two 19kg LPG

